

Baby Changing Station

Surface-Mounted



KEY FEATURES

- ASTM and EN compliant
- ADA compliant when installed properly
- Internal steel frame
- Easy, one-person installation
- Two bag hooks built into bed
- Made in the USA

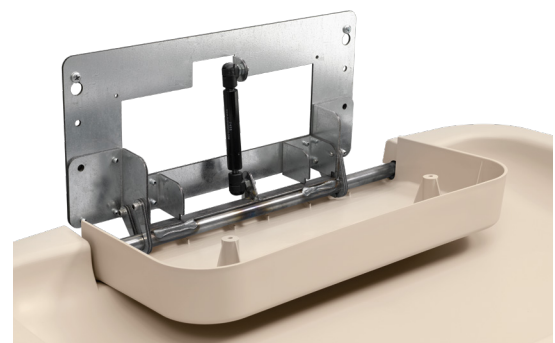
DIMENSIONS

- 35" (889 mm) W x 22" (559mm) H
- When open, the unit depth is: 22 15/16" (582 mm)
- When closed, the unit protrudes: 4" (102 mm)

Gamco Baby Changing Stations feature an internal steel frame that allows the bed to support up to 150 lbs. (68 kg). A built-in shock mechanism ensures a controlled, smooth opening and closing, while a steel-on-steel hinge provides increased resistance to wear and enhanced durability.

The design complements modern restroom aesthetics. Proudly made in the USA, these changing stations offer both reliability and style.

Available in Cream and Light Grey.



Steel frame for added strength and easier installation.

Gamco.com

Gamco Office	580.924.8066	bobrickcustomerservice@bobrick.com
Los Angeles	818.982.9600	bobrickcustomerservice@bobrick.com
New York	518.877.7444	bobrickcustomerservice@bobrick.com
International	+1.818.764.1000	international@bobrick.com